

KOHLER® Command PRO® CS

4-12.75 hp Engines



KOHLER.

KOHLER®

PERFORMANCE
ENGINEERING

Every part, every component, every system on our engines is guided by Kohler's exclusive Performance Engineering. It's your assurance that every engine we produce will live up to and build upon the worldwide KOHLER® reputation for excellence.



The measure of performance.

KOHLER® Command PRO engines are the professional standard for power and performance. Whatever the job, whatever the power range, from 4 on up to 40 hp. The Command PRO CS Series – six models from 4 to 12.75 hp – offers best-in-class engineering and performance on torque, fuel efficiency, extended maintenance cycles and overall durability.



Quiet package.

A fully integrated system, including oversize muffler, sound-deadening alloy crankcase and silenced air intake. Smoother, quieter performance.



Durability, protection package.

Features steel-forged crankshaft, cast iron cylinder sleeve, tough Stellite®-faced exhaust valves with Tuftride™-coated stems and dual main ball bearings for maximum side load characteristics. And Oil Sentry™ automatic warning/shutdown system keeps you running safe and sound.



Less fuel, longer runs.

Advanced ignition system cuts fuel consumption. The large-capacity fuel tank allows for longer runs between fills.



Reliable, all-weather starts.

Advanced electronic ignition, automatic compression release and dual-bearing ball bearings combine for sure, effortless starts, in any weather and all conditions.



User-friendly.

Command PRO engines boast a long list of features for easier operation and extra peace of mind, including dual oil drain and fill; Oil Sentry; standard muffler guard/arrestor; crankshaft key and spark plug socket; carburetor bowl drain; easy-access throttle, choke and shut-off; fuel tank intake strainer, filter and 3-position shut-off.

Emissions:

Certified for both EPA and California emissions standards. Precise air-to-fuel ratio for cleaner combustion with optimum horsepower and torque.

Service:

Backed by more than 13,000 dealers and distributors worldwide.

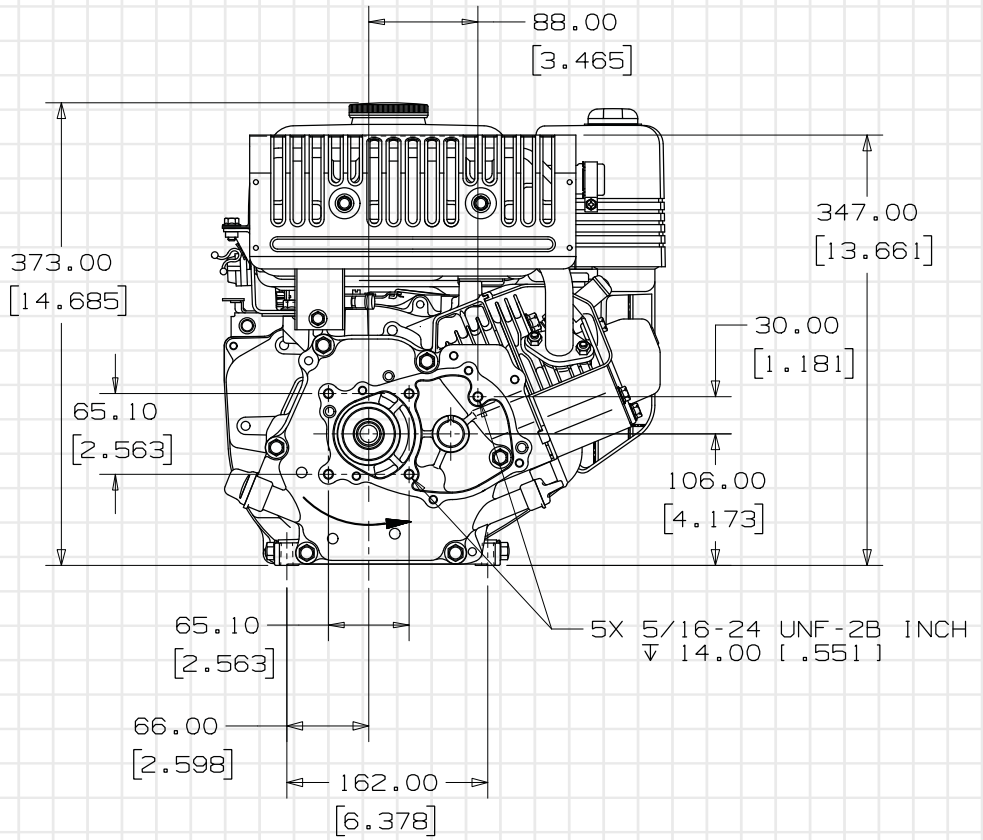
Warranty:

Two-year limited warranty covering all consumer and commercial applications.

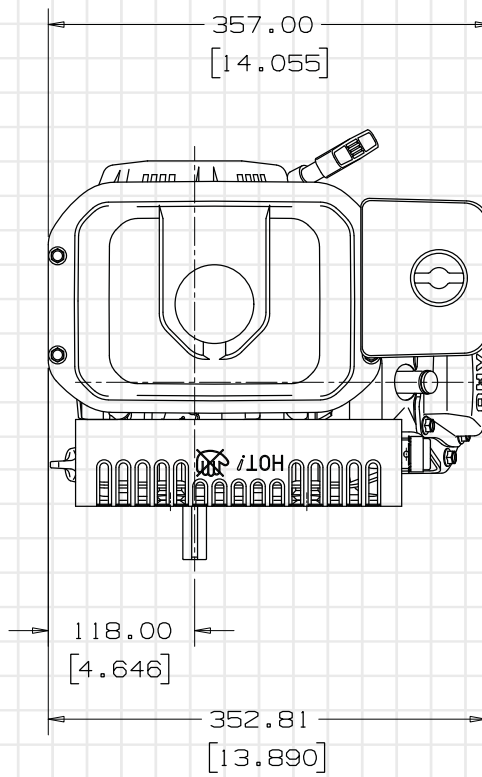
4-6 hp engines

KOHLER® COMMAND PRO® CS ENGINE ARCHITECTURE

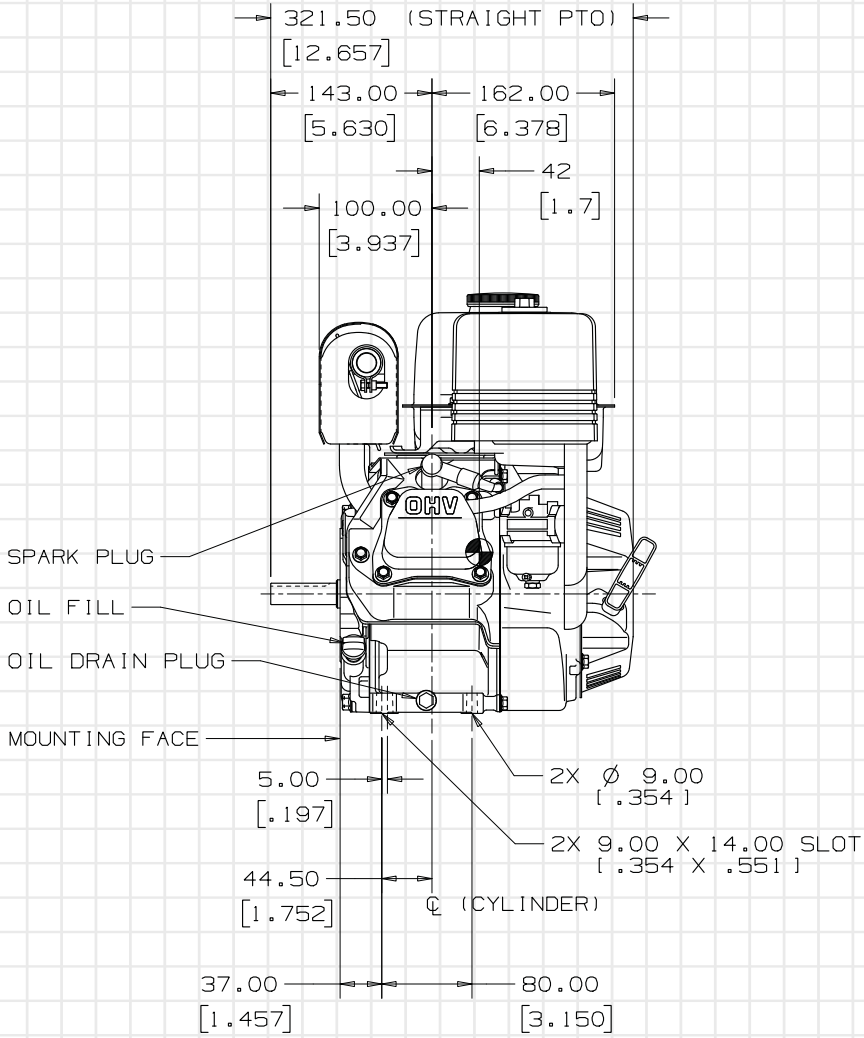
PTO VIEW ▼



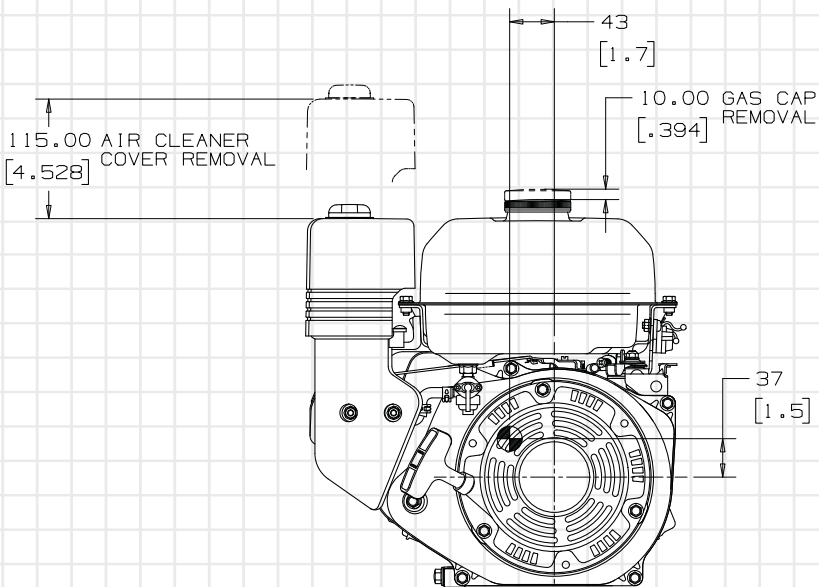
TOP VIEW ▼



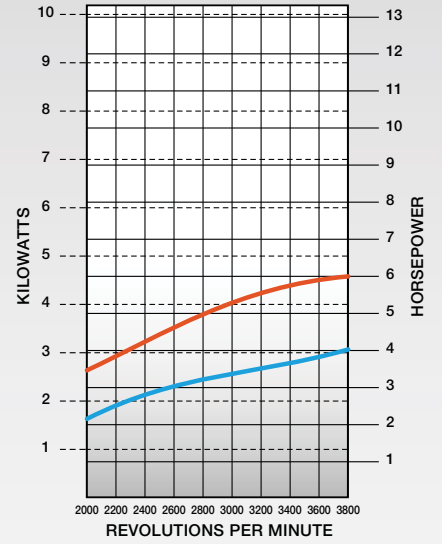
4-6 hp engines



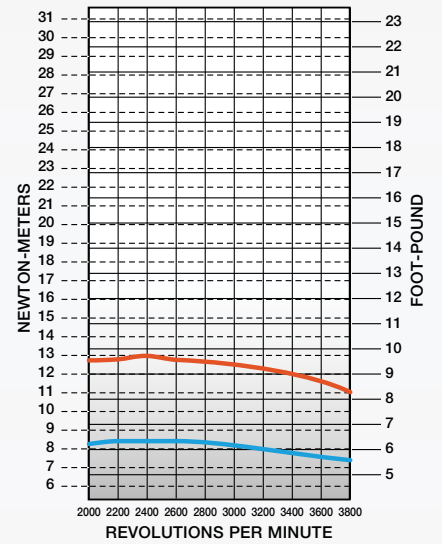
VALVE COVER VIEW



FRONT VIEW



Maximum Power



Maximum Torque

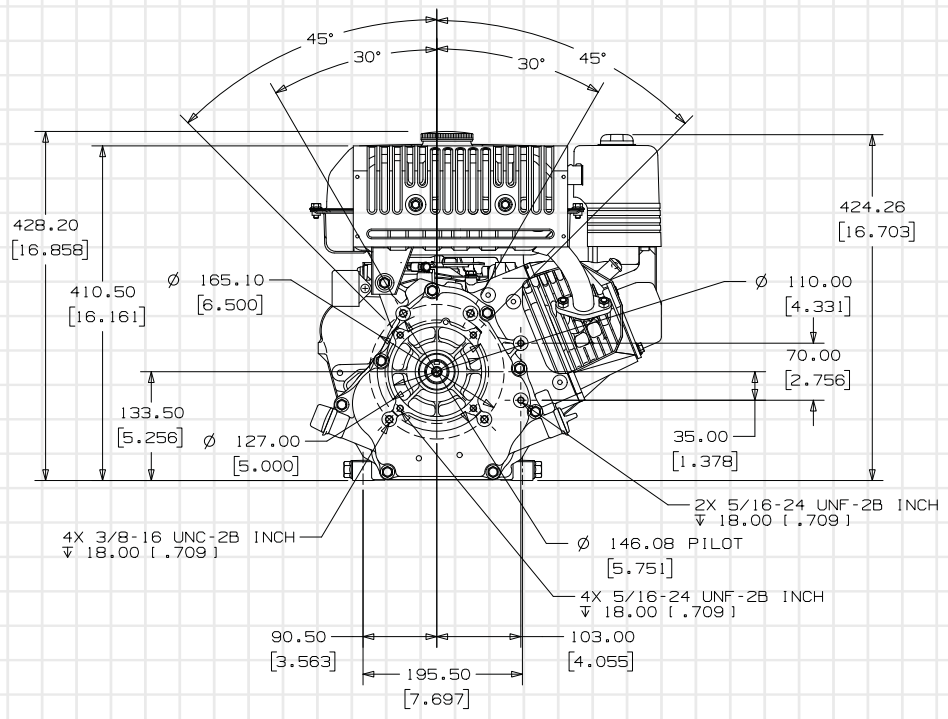
CS6

CS4

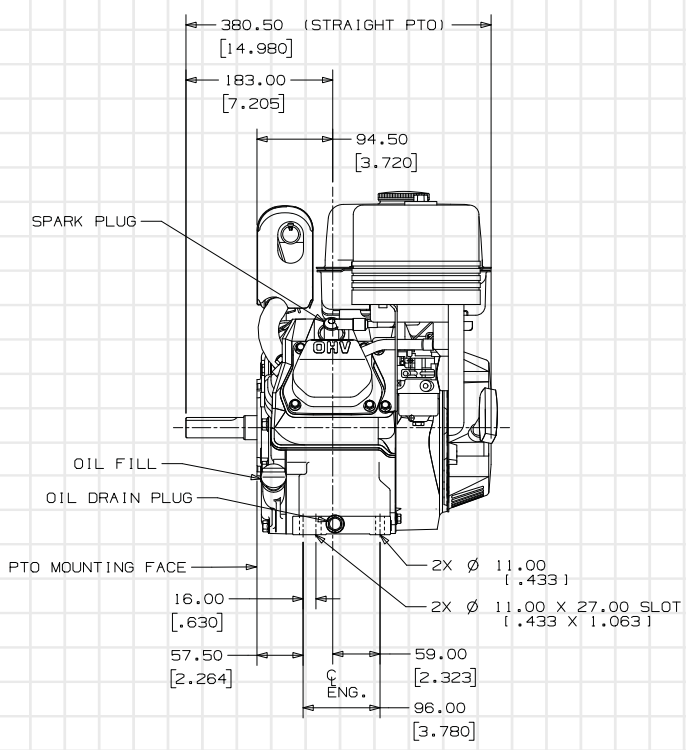
8.5 hp engine

KOHLER® COMMAND PRO® CS ENGINE ARCHITECTURE

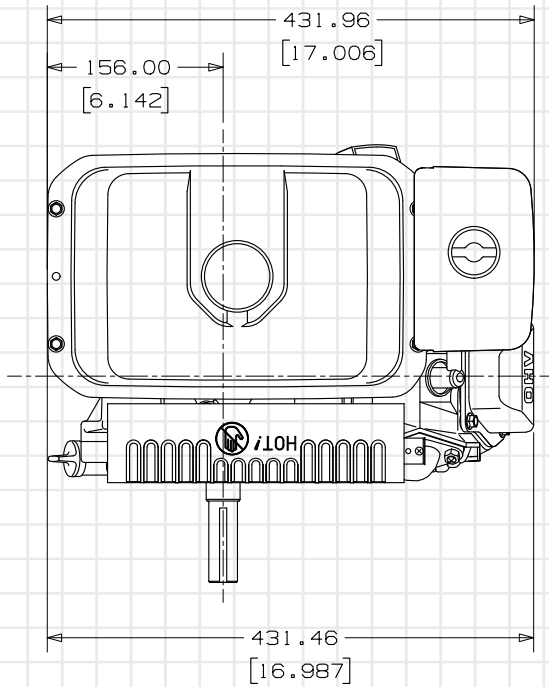
PTO VIEW



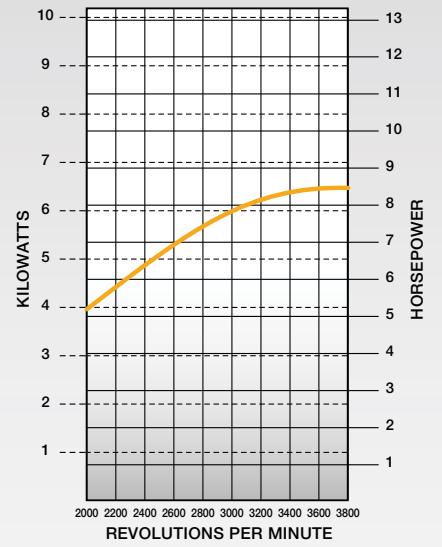
VALVE COVER VIEW



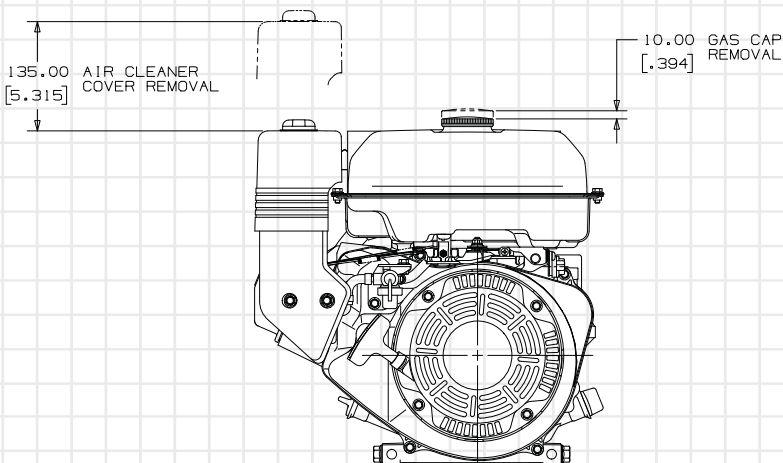
8.5 hp engine



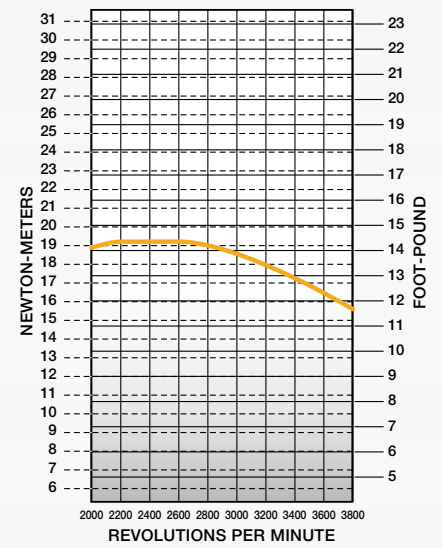
TOP VIEW



Maximum Power



FRONT VIEW



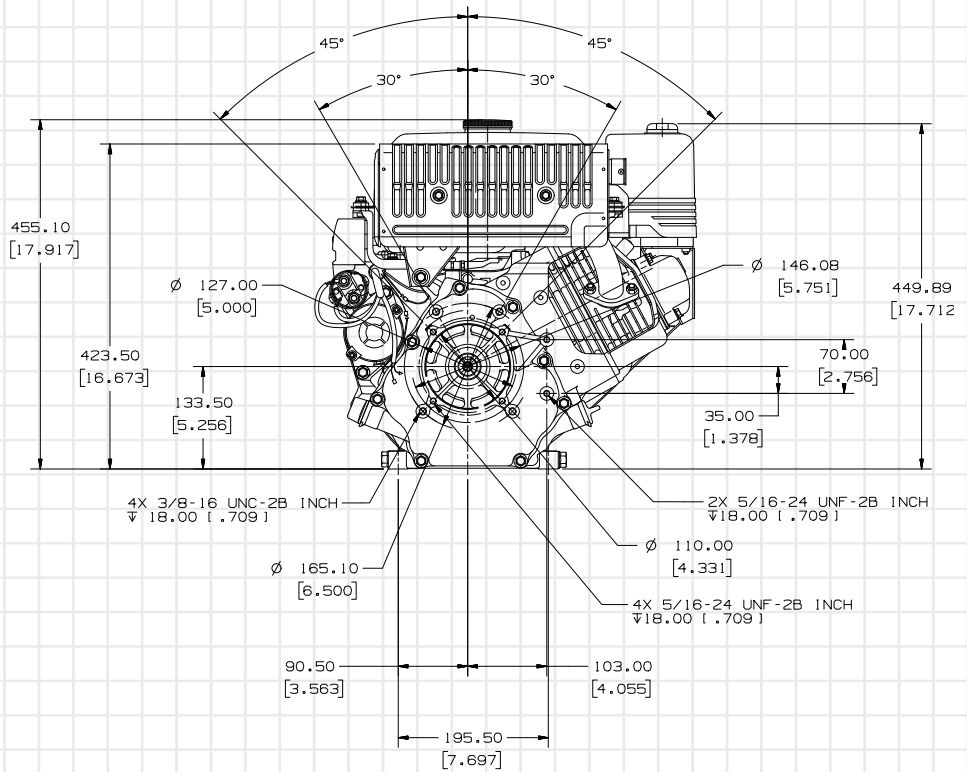
Maximum Torque

CS8.5

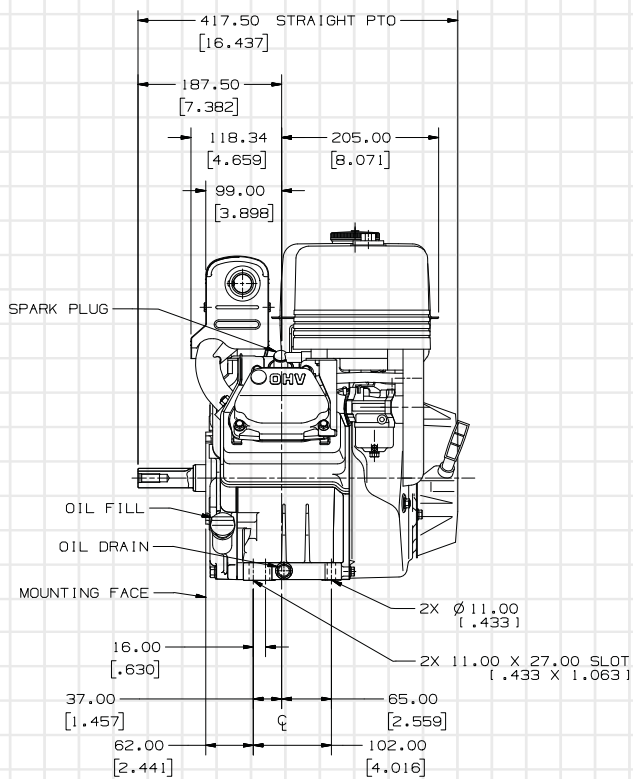
10, 12 and 12.75 hp engines

KOHLER® COMMAND PRO® CS ENGINE ARCHITECTURE

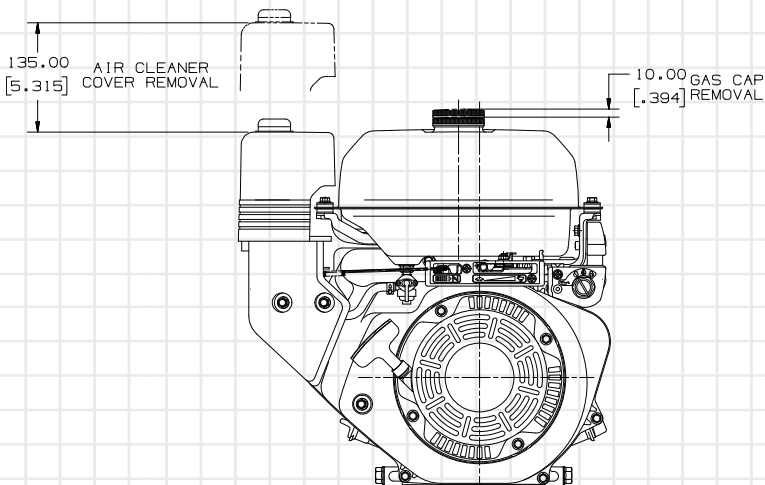
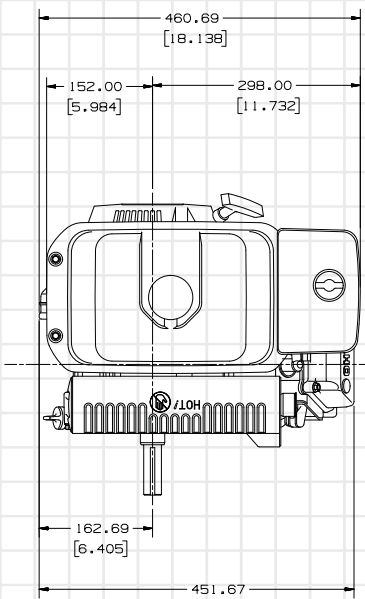
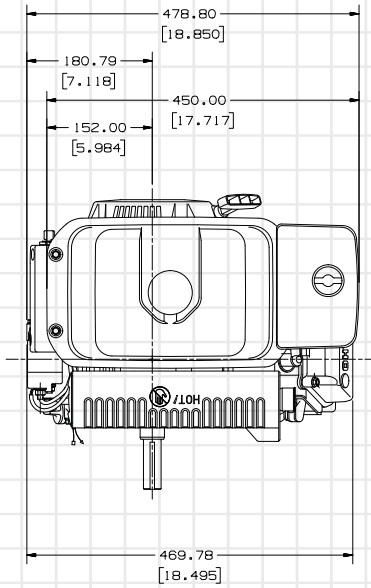
PTO VIEW



VALVE COVER VIEW



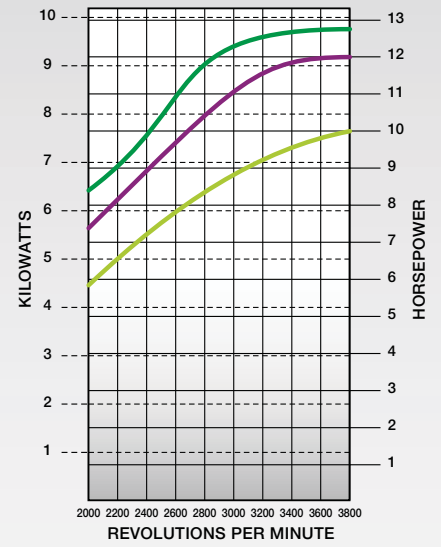
10, 12 and 12.75 hp engines



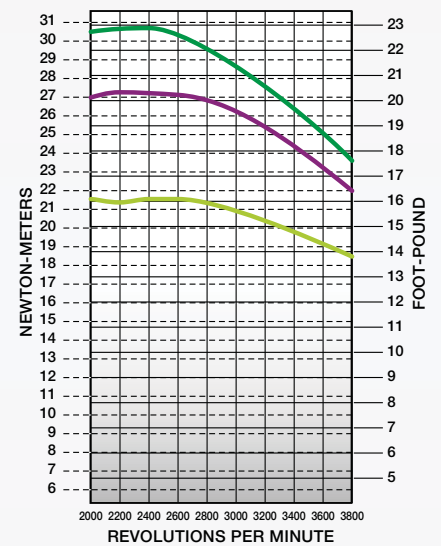
TOP VIEW ELECTRIC START ▼

TOP VIEW RECOIL ▼

FRONT VIEW ▼



Maximum Power



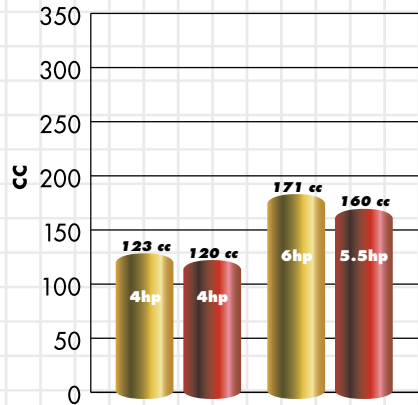
Maximum Torque

- CS12.75
- CS12
- CS10

KOHLER vs. Competition Comparisons 4 and 6 hp

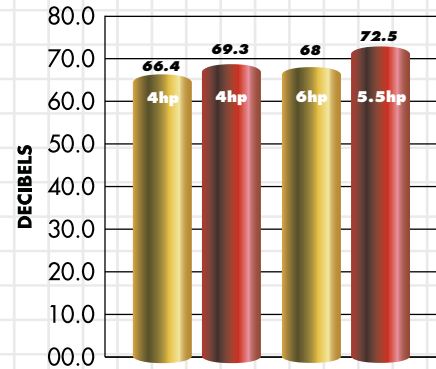
Increased Power and Torque

Larger Displacement



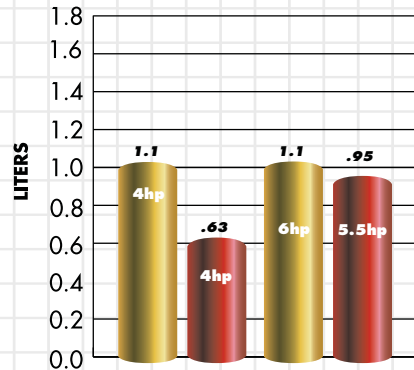
Quiet Operation

Sound Pressure*



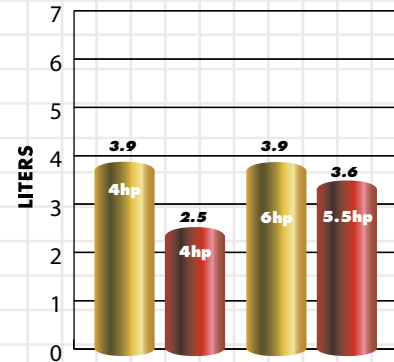
Quiet Operation

Larger Muffler Size



Longer Running Time

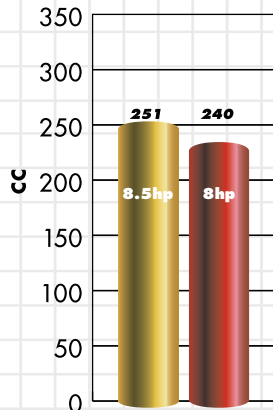
Larger Fuel Tank Capacity



KOHLER vs. Competition Comparisons 8.5 hp

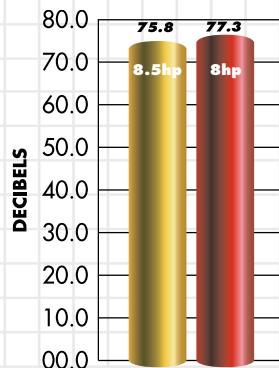
Increased Power and Torque

Larger Displacement



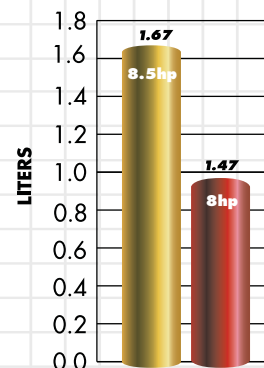
Quiet Operation

Sound Pressure*



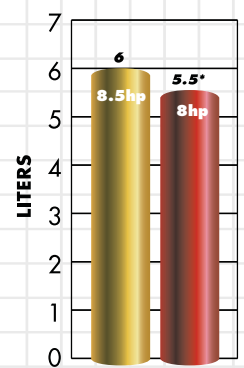
Quiet Operation

Larger Muffler Size



Longer Running Time

Larger Fuel Tank Capacity**



HORSEPOWER



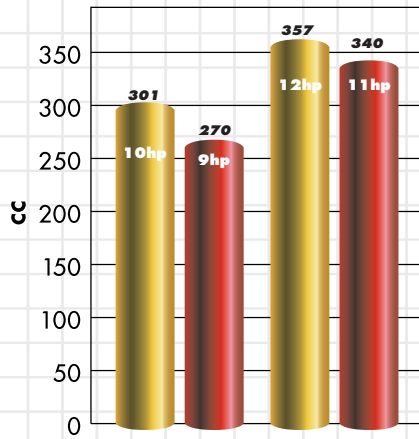
*Based on high idle at 7 meters.

**Fuel tank capacity as measured by Kohler Co.

KOHLER vs. Competition Comparisons 10 and 12 hp

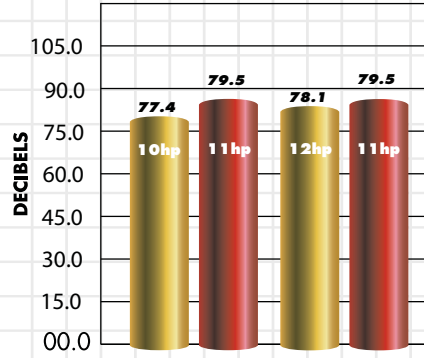
Increased Power and Torque

Larger Displacement



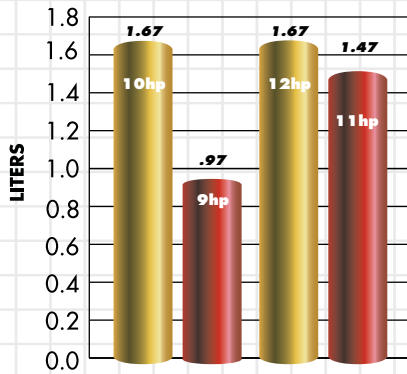
Quiet Operation

Sound Pressure*



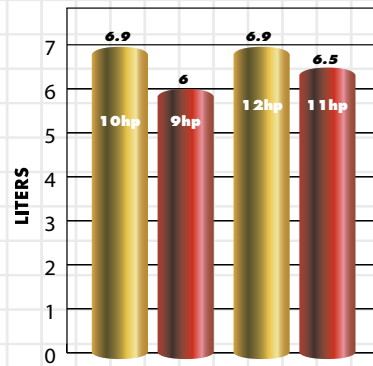
Quiet Operation

Larger Muffler size



Longer Running Time

Larger Fuel Tank Capacity



HORSEPOWER



*Based on high idle at 7 meters.

KOHLER® Command PRO® CS Model Specifications

Engine Type		Four-cycle, single cylinder, slant cylinder, overhead valve, air-cooled, gasoline, horizontal-shaft, aluminum head and crankcase with cast iron cylinder liner.					
Model:		CS4	CS6	CS8.5	CS10	CS12	CS12.75
*Power @ 3800 rpm	Maximum hp (kW)	4 (2.98)	6 (4.47)	8.5 (6.34)	10 (7.46)	12 (8.95)	12.75 (9.5)
Displacement	cu in (cc)	7.5 (123)	10.4 (171)	15.3 (251)	18.3 (301)	21.8 (357)	
Bore	in (mm)	2.2 (56)	2.6 (66)	2.6 (75)	3.1 (78)	3.4 (85)	
Stroke	in (mm)	1.9 (50)		2.2 (57)	2.5 (63)		
Peak Torque @ Maximum	lbs ft (Nm)	6.2 (8.4) @ 2200 rpm	9.6 (13.0) @ 2400 rpm	14.2 (19.2) @ 2200 rpm	15.9 (21.6) @ 2400 rpm	20.1 (27.3) @ 2200 rpm	22.6 (30.6) @ 2400 rpm
Compression Ratio		8.3:1	8.5:1	8.3:1	8.1:1		
Dry Weight (Recoil Start)	lbs (kg)	35.2 (15.97)		58 (26.31)	70.5 (31.98)		
Oil Capacity	U.S. qt (L)	.6 (.6)		1.05 (1)	1.1 (1)		2.1 (1.0)
Fuel Capacity	U.S. qt (L)	4.1 (3.9)		6.3 (6)	7.3 (6.9)		
Lubrication		Splash					
**Dimensions L x W x H	in. (mm)	10.24 (260) x 15.12 (384) x 14.69 (373)		11.48 (291.5) x 16.97 (431) x 16.85 (428)	12.95 (329) x 18.14 (460) x 17.92 (455)		

* Horsepower ratings exceed Society of Automotive Engineers Small Engine Test Code J1940. Actual engine horsepower is lower and affected by, but not limited to, accessories (air cleaner, exhaust, charging, cooling, fuel pump, etc.), application, engine speed and ambient operating conditions (temperature, humidity and altitude). For more information, contact Kohler Co. Engine Engineering. Kohler reserves the right to change product specifications, designs and equipment without notice and without incurring obligation.

** Length is valve cover to end of blower housing. Width is air cleaner to opposite side. Height is mounting surface to grass screen.

Standard Features

- OHV slant-cylinder
- Large-capacity fuel tank w/shut off and dual filter
- Swirl-induction combustion chamber
- Electronic ignition
- Oversized mufflers w/arrestor and guard
- EPA II & CARB II emission-certified
- Steel fuel cap
- Meet EEC and Canadian RFI standards
- Easy-access throttle, choke and shut-off
- Increased displacements
- Balance shaft (8.5-12 hp)
- Automatic compression release
- Mechanical governor
- High-altitude kits
- Sound-deadening alloy crankcase
- Radiant cylinder sleeve (12 hp)
- Dual main ball bearings
- Steel-forged crankshaft
- Carburetor bowl drain
- Dual oil drain and fill
- Metal grass screen (recoil 8.5-12 hp)
- Dipstick on starter side
- Oil Sentry™ automatic warning/shutdown system
- Stellite®-faced exhaust valve and Tuftride™-coated stems
- Dual-element air cleaner
- High-inertia flywheel
- Silenced air intake
- Cast iron cylinder liner
- Recoil start

Popular Factory Options

- 2:1 gear reduction
- Electric start (solenoid shift 8.5, 10, 12, 12.75)
- Exhaust deflectors
- High-output charging systems
- Crankshaft/PTO variations
- Heavy-duty, cyclonic air cleaner
- 10 amp alternator (regulated)
- Low-profile air cleaner
- Fuel economy idle system (10-12 hp)
- Dipstick on cylinder side
- Automatic choke (10-12 hp)
- Shutdown solenoid carb (10-12 hp)

For more information, contact your KOHLER source of supply
Or call toll-free in the U.S. and Canada 1-800-544-2444.

Kohler Co., Kohler, Wisconsin 53044 Tel 920-457-4441 Fax 920-459-1570

KohlerEngines.com

© 2007 by Kohler Co. All rights reserved.

KOHLER®

Relentless Power.
Legendary Performance.

Printed in U.S.A. E-2040-F 10/07